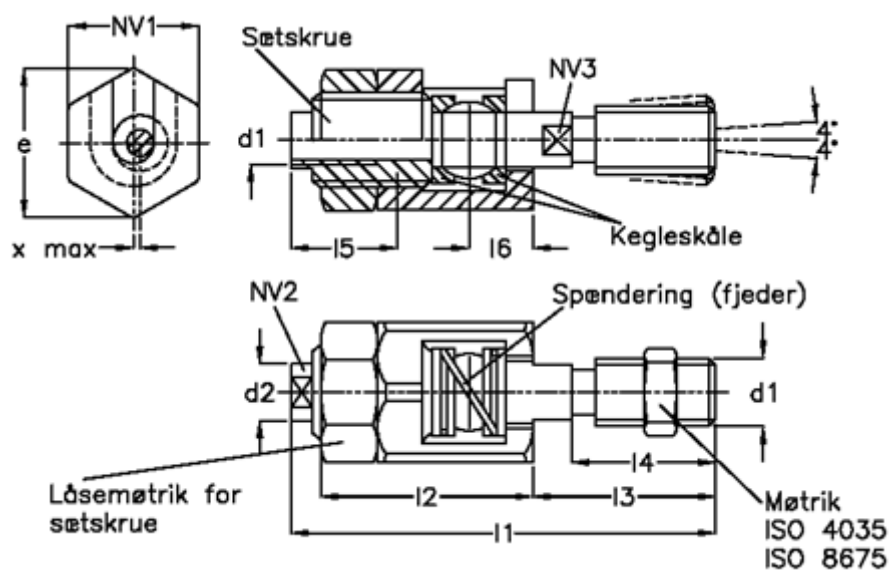


Article number: 20058509

Description: E+G Quick-fit coupling (radial displacement)
GN 240.2-M6

Measures



| | | |
|------------|--------------------------|--------|
| d1 = M 6x1 | l6 | = 9.5 |
| d2 = 9.5 | Max displacement | = 0.6 |
| e = 24.5 | Max push-pull strength N | = 2500 |
| l1 = 52 | NV 1 | = 22 |
| l2 = 29 | NV 2 | = 8 |
| l3 = 18.5 | NV 3 | = 5 |
| l4 = 14 | | |
| l5 = 13 | | |